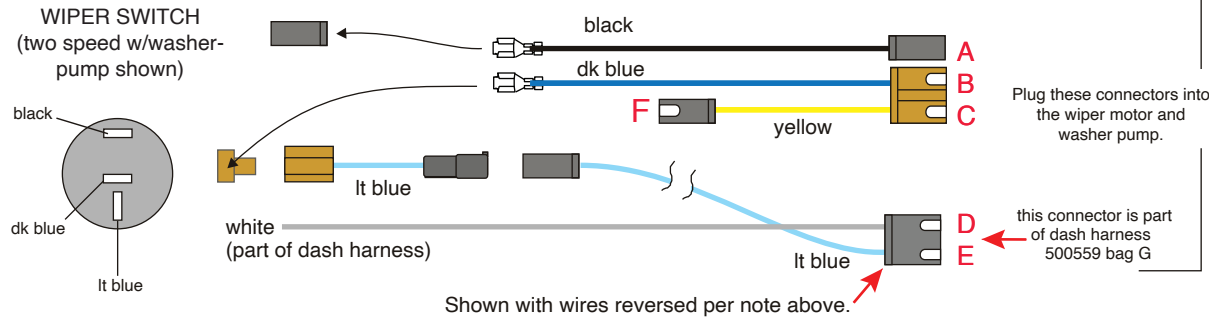


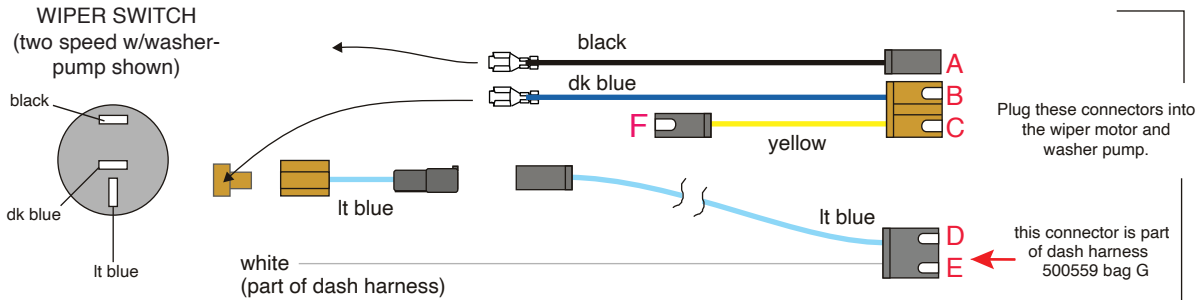
Use the drawings below to install the proper connectors for your STOCK OEM WIPER SYSTEM. Follow the installation procedures on the following page to connect to the motor and switch, using the supplied connectors.

1960-61

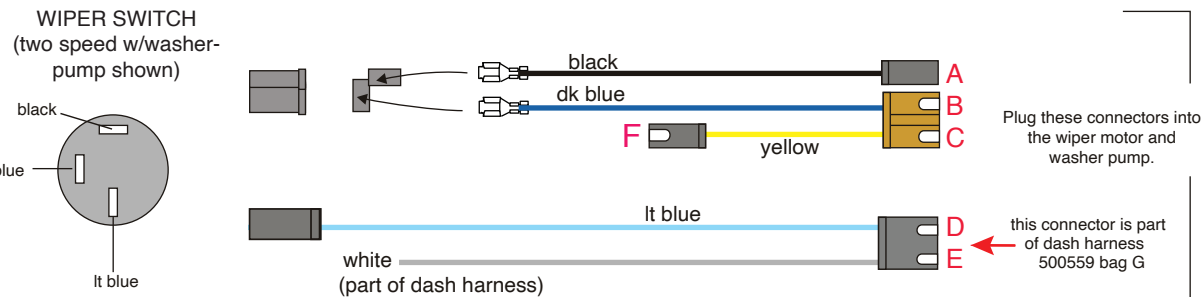
If you own a 1960-61 truck, the wiper connector on the dash harness (500559 bag G) needs modification. The existing light blue wire and white wire need to be reversed. Remove the existing wires and index as shown in the detail below.



1962

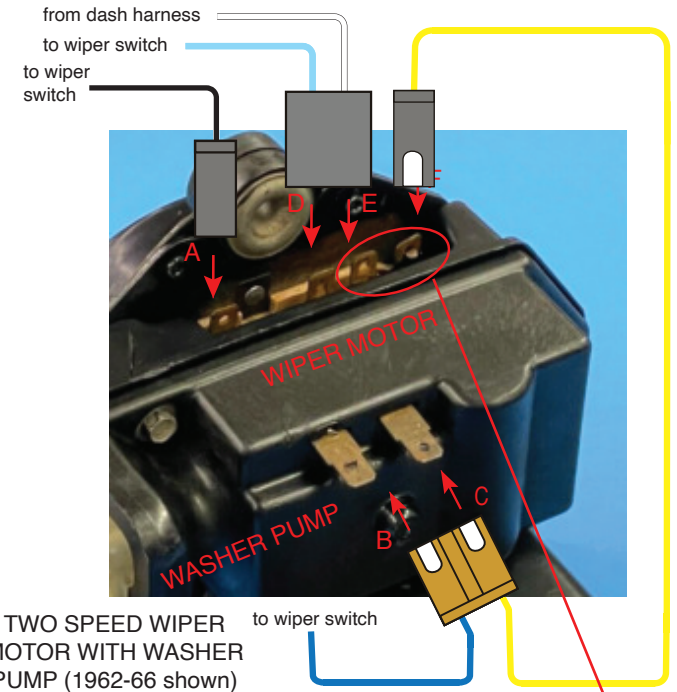


1963-66

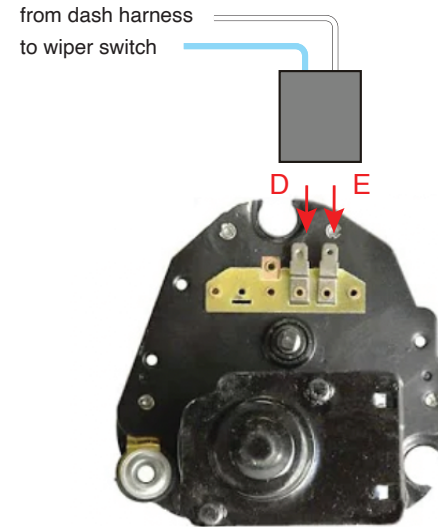


Wire Functions:

- Dark Blue - Washer Pump Ground. Used only when a washer pump is present.
- Yellow - 12 volt power jumper from wiper motor to washer pump. Used only when a washer pump is present.
- Black - Wiper motor low speed ground. Used only with a 2-speed wiper motor.
- Light Blue - Wiper Motor high speed ground. Used with two speed and single speed motors.
- White - Keyed 12 volt power from fuse box. Used with two speed and single speed motors.



TWO SPEED WIPER MOTOR WITH WASHER PUMP (1962-66 shown)



TYPICAL SINGLE SPEED WIPER MOTOR WITHOUT WASHER PUMP



American Autowire

www.americanautowire.com 856-933-8081

